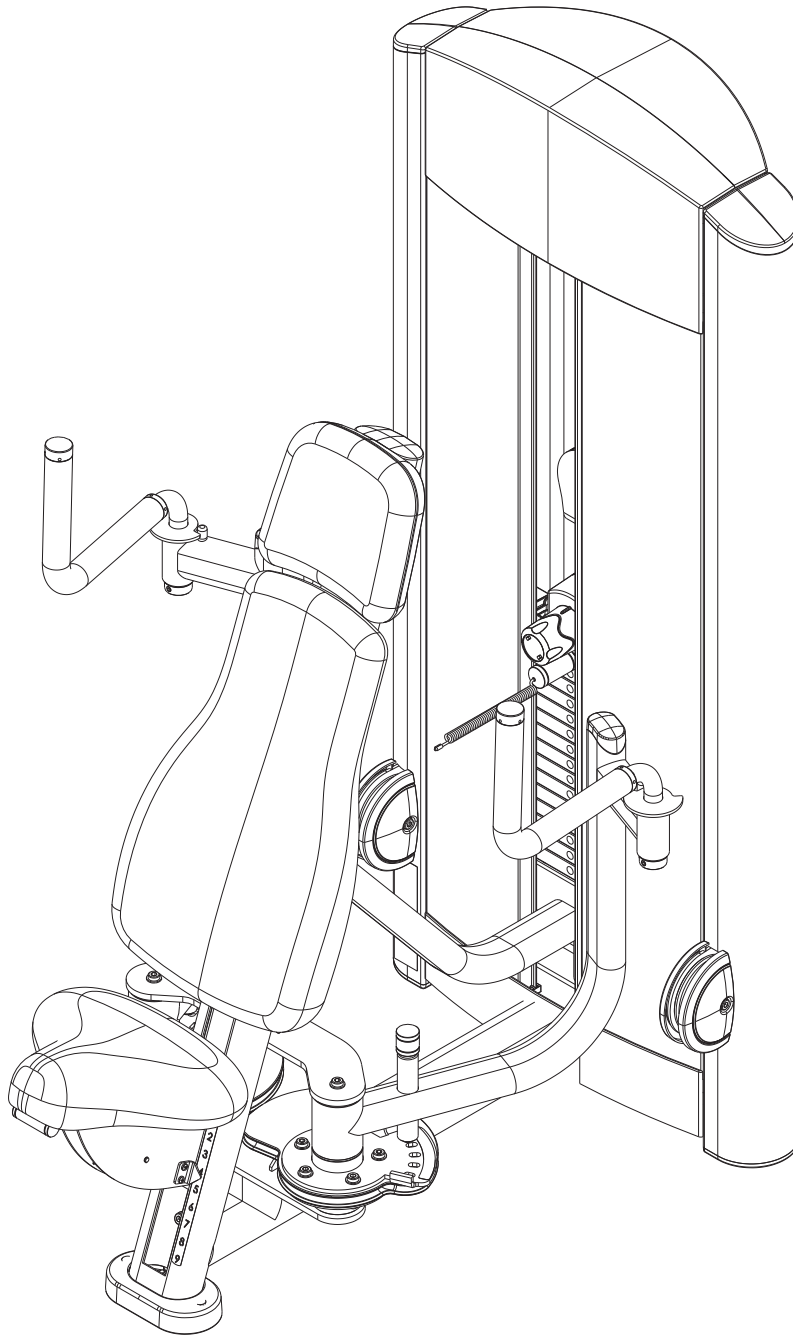




SIGNATURE SERIES
FZPEC PECTORAL FLY

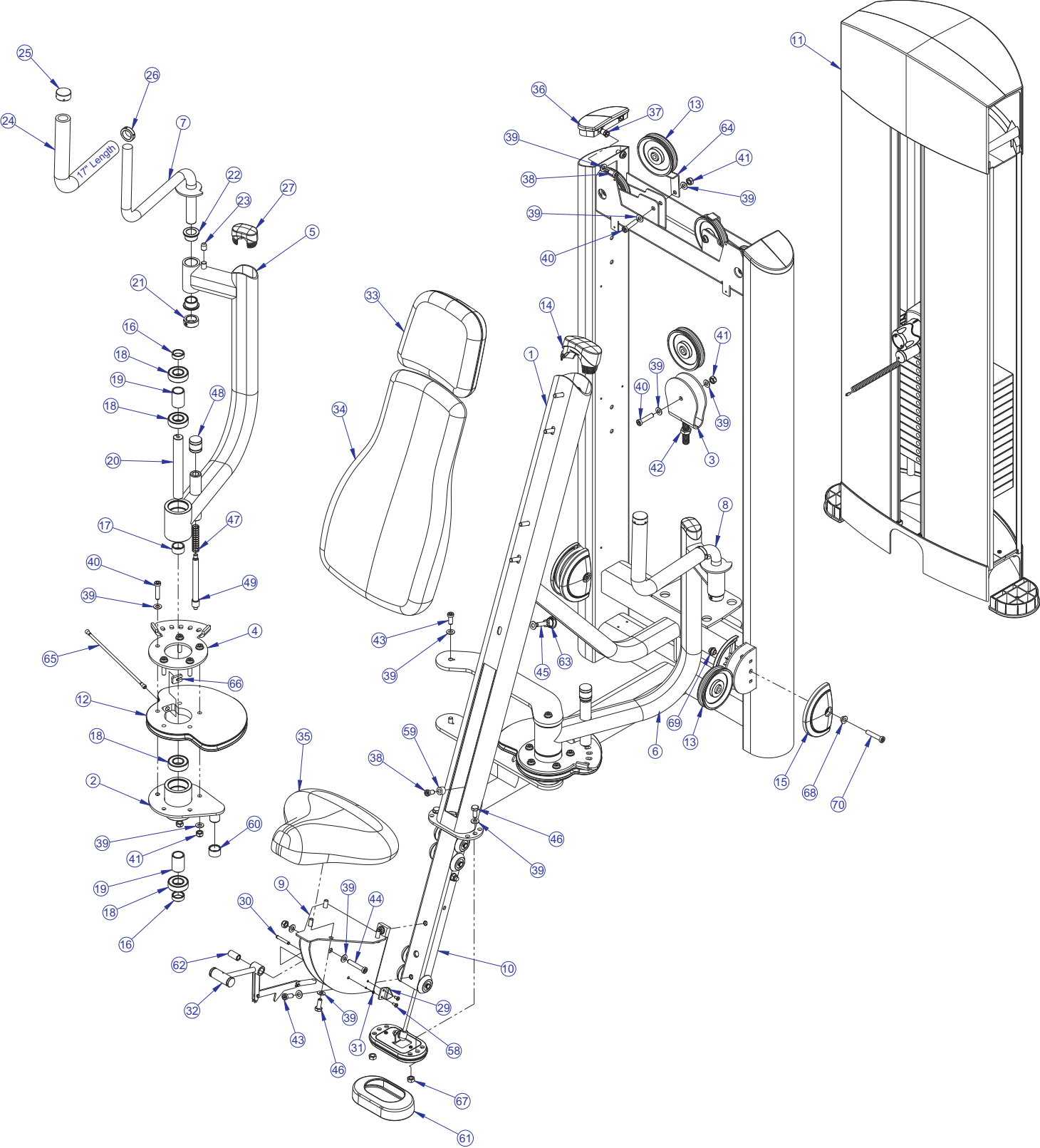


Customer Support Services
PARTS MANUAL

FZPEC PECTORAL FLY CONTENTS

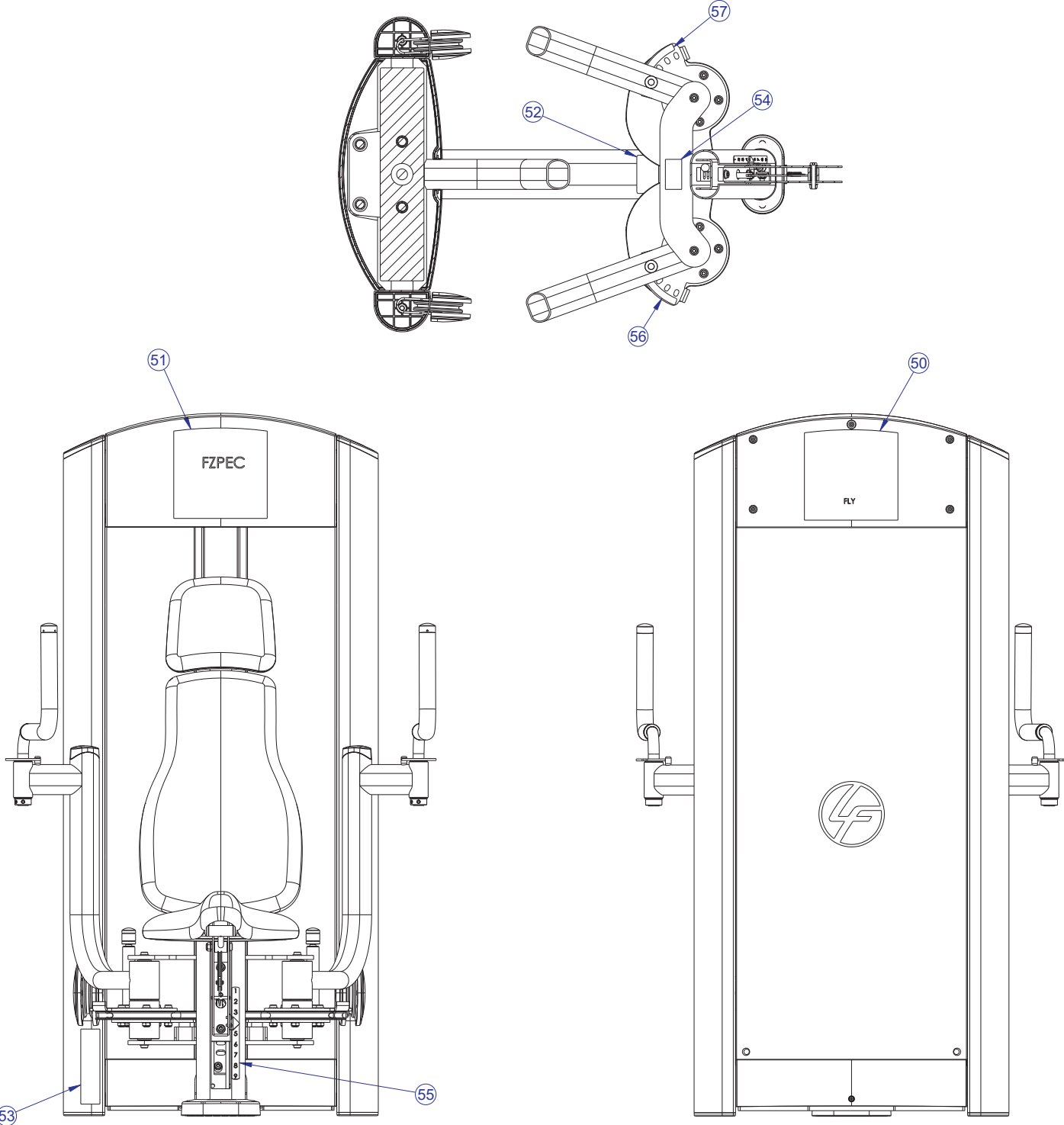
	PAGE
COMPONENT ASSEMBLY	3
COMPONENT ASSEMBLY II	4
COMPONENT ASSEMBLY LEGEND	5
SEAT CARRIAGE ASSEMBLY	6
SEAT CARRIAGE ASSEMBLY LEGEND	7
ADJUSTER HANDLE ASSEMBLY	8
PEC-14 TOWER ASSEMBLY	9
PEC-14 TOWER ASSEMBLY LEGEND	10
5 LB. INCREMENT WEIGHT ASSEMBLY	11
10 LB. INCREMENT WEIGHT ASSEMBLY	12
15 LB. INCREMENT WEIGHT ASSEMBLY	13
HEAD PLATE ASSEMBLY	14
HEAD PLATE ASSEMBLY LEGEND	15
IMAGE	16

FZPEC PECTORAL FLY COMPONENT ASSEMBLY



SEE PAGE 5 FOR LEGEND

FZPEC PECTORAL FLY COMPONENT ASSEMBLY II

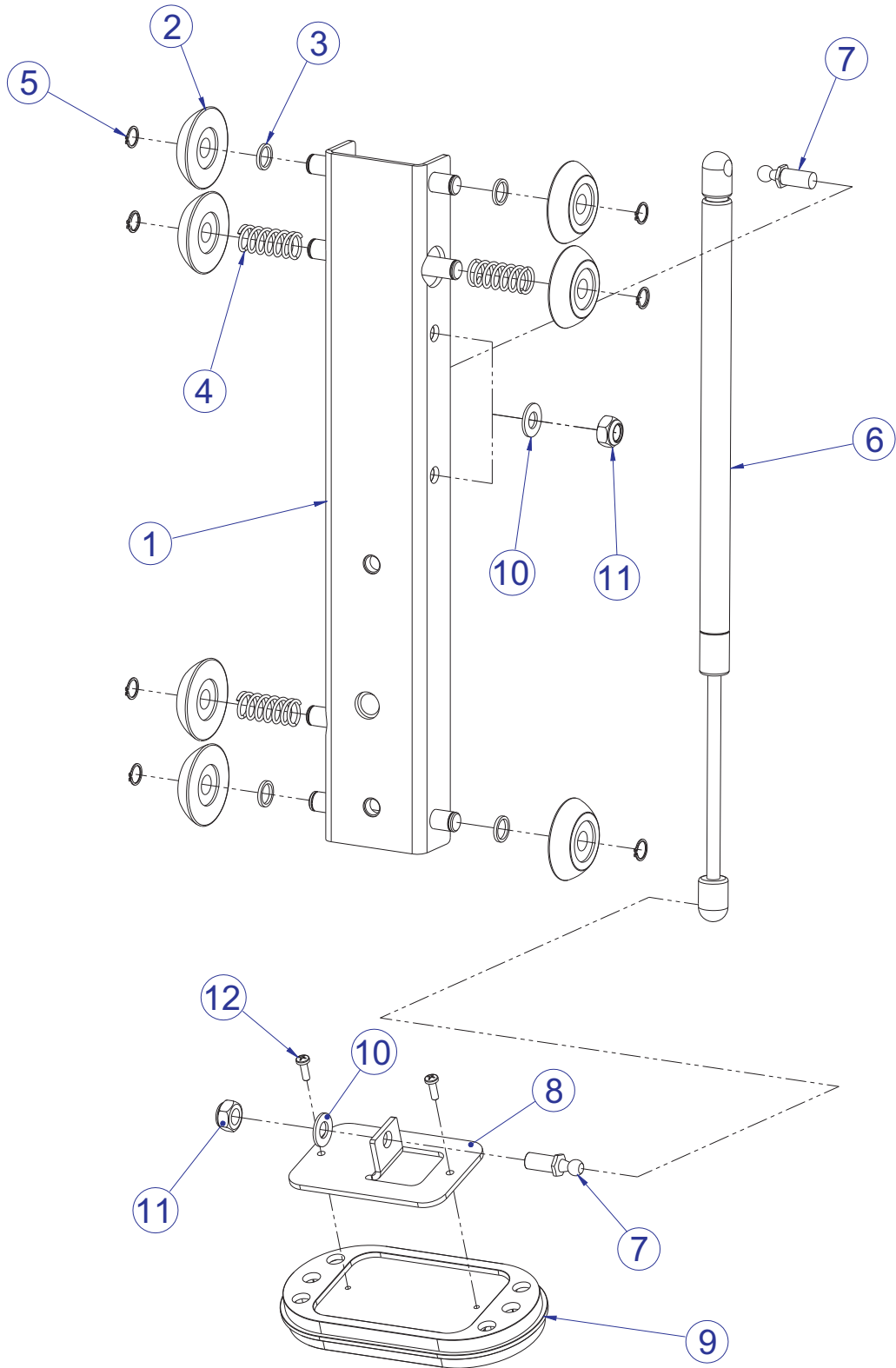


SEE PAGE 5 FOR LEGEND

FZPEC PECTORAL FLY COMPONENT ASSEMBLY LEGEND

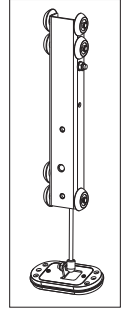
ITEM NO.	QTY.	PART NO.	DESCRIPTION	ITEM NO.	QTY.	PART NO.	DESCRIPTION
1	1	8164501	WLDMT, FZPEC, MAIN FRAME	36	2	7326201	CAP, D-TUBE - TOP
2	2	8165001	WLDMT, FZPEC, PIVOT HSNG	37	4	3238601	M10X1.5 THREADED INSERT (HEX)
3	1	7625095	WLDMT, FZ WT STK PULLEY BRKT	38	5	3236201	SCREW, M10 X1.5 20MM
4	2	8165201	BRKT, FZPEC, CAM ADJ.	39	54	3236601	WASHER, 3/8 SAE SS
5	1	8164801	WLDMT, FZPEC, PRESS ARM -RT	40	15	3236206	SCREW, M10 X1.5 45MM
6	1	8164601	WLDMT, FZPEC, PRESS ARM - LH	41	16	3236801	NUT, M10 HEX NYLOCK SS
7	1	7486001	WLDMT, FZFLY HANDLE - RT	42	1	3236902	NUT, M16 X 2 HEX JAM SS
8	1	7486101	WLDMT, FZFLY HANDLE - LT	43	6	3236202	SCREW, M10 X1.5 25MM
9	1	7330501	WLDMT, FZ SEAT SUPPORT	44	1	3236208	SCREW, M10 X1.5 55MM
10	1	7911101	ASSY, SEAT CARRIAGE	45	5	3251204	SCREW, M10 X1.5 X 35MM HEX ST ZN
11	1	8165301	ASSY, FZPEC TOWER - 14	46	6	3251202	SCREW, M10 X1.5 X 25MM HEX ST ZN
12	2	8165501	CAM, FZPEC	47	2	7351501	SPRING; PULL PIN LARGE
13	7	3237801	PULLEY, 4.5" OD	48	2	7424801	KNOB, POP PIN
14	1	7333901	CAP, LARGE FLOV- END	49	2	7425102	PIN, PULL X 6.75
15	4	8094101	COVER, PULLEY-BOLTED PARTIAL	50	1	7603001	LABEL, FZAB PLACARD
16	4	7330001	SPACER, INTERNAL X .403	51	1	8173200	LABEL, FZPEC, PLACARD
17	2	7330002	SPACER, INTERNAL X .653	52	1	7571301	LABEL, SERIAL NUMBER
18	8	3235601	BEARING, 6205 BALL	53	1	7422004	LABEL, 2" ASTM WARN
19	4	7330006	SPACER, INTERNAL X 1.765	54	1	7422003	LABEL, MOVING PARTS
20	2	7316509	SHAFT, 25MM X 13.740	55	1	7524501	LABEL, 1-9 STRAIGHT
21	2	7435301	COLLAR, SHAFT 1.020 ID	56	1	8171401	LABEL, FZPEC, 1-5 CURVED LH
22	4	3104903	1.00" ID 1.25" OD BRONZ BUSHING	57	1	8171301	LABEL, FZPEC 1-5 CURVED RT
23	2	3238501	CAP, 1/2 X 5/8	58	2	3239101	SCREW, M5X10 PHL PAN TT ST
24	2	3235802	GRIP, 1.00 ID X .25 X 17.50	59	1	7385203	SPACER, .406 X .750 X .500
25	2	7662902	CAP, GRIP 1.50 OD	60	2	7690101	BUMPER, SLEEVE - 1 INCH DIA
26	2	7662802	RING, GRIP 1.50 OD	61	1	7419601	COVER, FOOT-20 DEG.
27	2	7333801	CAP, SMALL FLOV- END	62	1	7776501	SHAFT, .625 X .406 X 1.200
28	1	3239201	SPRING, EXT, .375 X .049 X 2.00	63	5	3237403	PLUG, 1" HOLE
29	1	7425295	BRKT, SEAT INDICATOR	64	2	6757701	CLIP, CABLE 2-7/8 X 1 X 1
30	1	7407502	PIN, LINK	65	1	7423809	CABLE, FZPEC 224-1/2
31	2	3232401	RING, RETAINING, EXTERNAL	66	2	7342201	PLATE, CABLE END
32	1	7778001	ASSY, FZ ADJUSTER HANDLE	67	2	3254703	NUT, M10 X 1.5 HEX ZINC
33	1	74743XX	PAD, HEAD REST	68	2	7630101	RETAINER, CM/MJ, PULLEY
34	1	74741XX	PAD, LARGE BACK	69	2	7335401	NUT, M10 X 1.5 SOCKET HEAD
35	1	72971XX	PAD, SEAT SADDLE	70	2	3236207	SCREW, M10 X1.5 50MM

FZPEC PECTORAL FLY SEAT CARRIAGE ASSEMBLY - 7911101



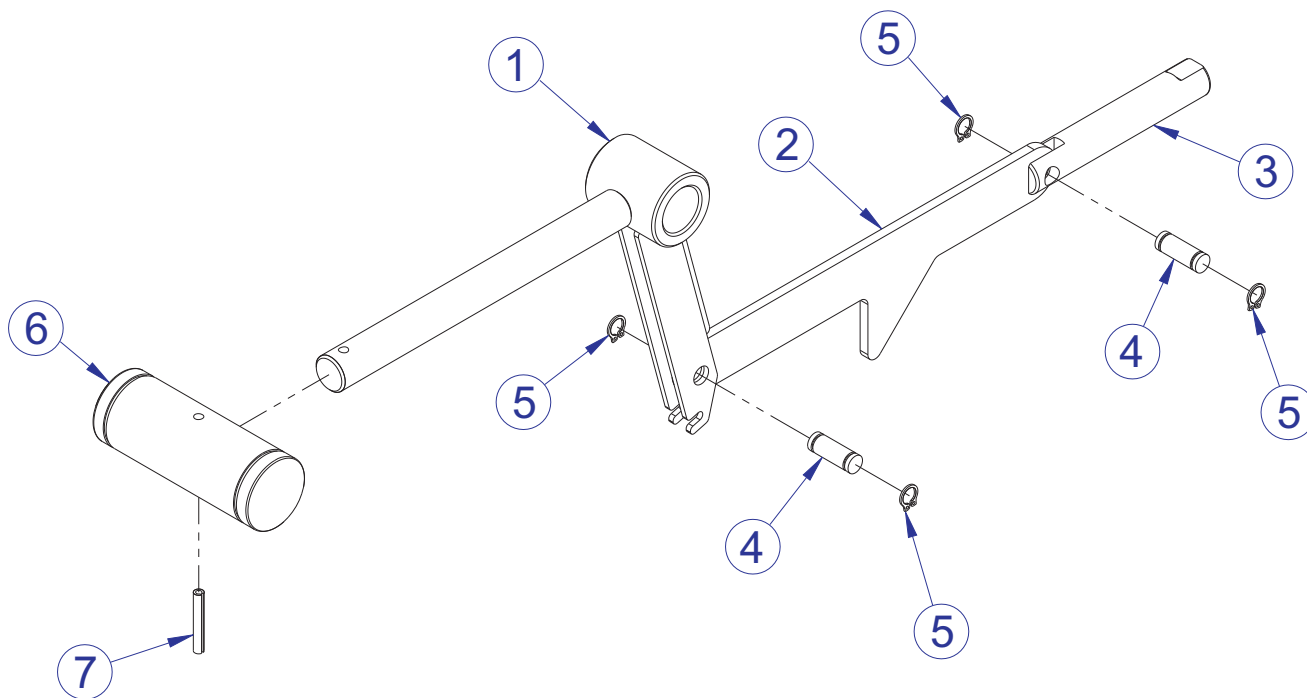
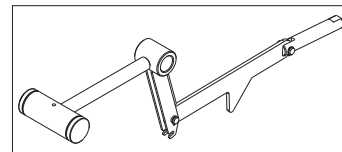
SEE PAGE 7 FOR LEGEND

FZPEC PECTORAL FLY SEAT CARRIAGE ASSEMBLY LEGEND



ITEM NO.	QTY.	PART NO.	DESCRIPTION
1	1	7911295	WLDMT, SEAT CARRIAGE SHDW GRAY
2	7	7889701	ROLLER, SEAT CARRIAGE
3	4	7911901	SPACER, .625 DIA X 16 GA.
4	3	7912001	SPRING, SEAT CARRIAGE
5	7	3232408	RING, BRE .443, 5100-46, ST,PP,B
6	1	3235700	SPRING, GAS 80N
7	2	7414301	STUD, M10 BALL END M10 X 1.5
8	1	7339401	BRACKET, GAS SPRING
9	1	7334001	FOOT, 2.50 X 4.49 FLOV
10	2	3236601	WASHER, 3/8 SAE SS
11	2	3236801	NUT, M10 HEX NYLOCK SS
12	2	3241201	M4 PHL PAN F ST ZN

FZPEC PECTORAL FLY ADJUSTER HANDLE ASSEMBLY - 7778001

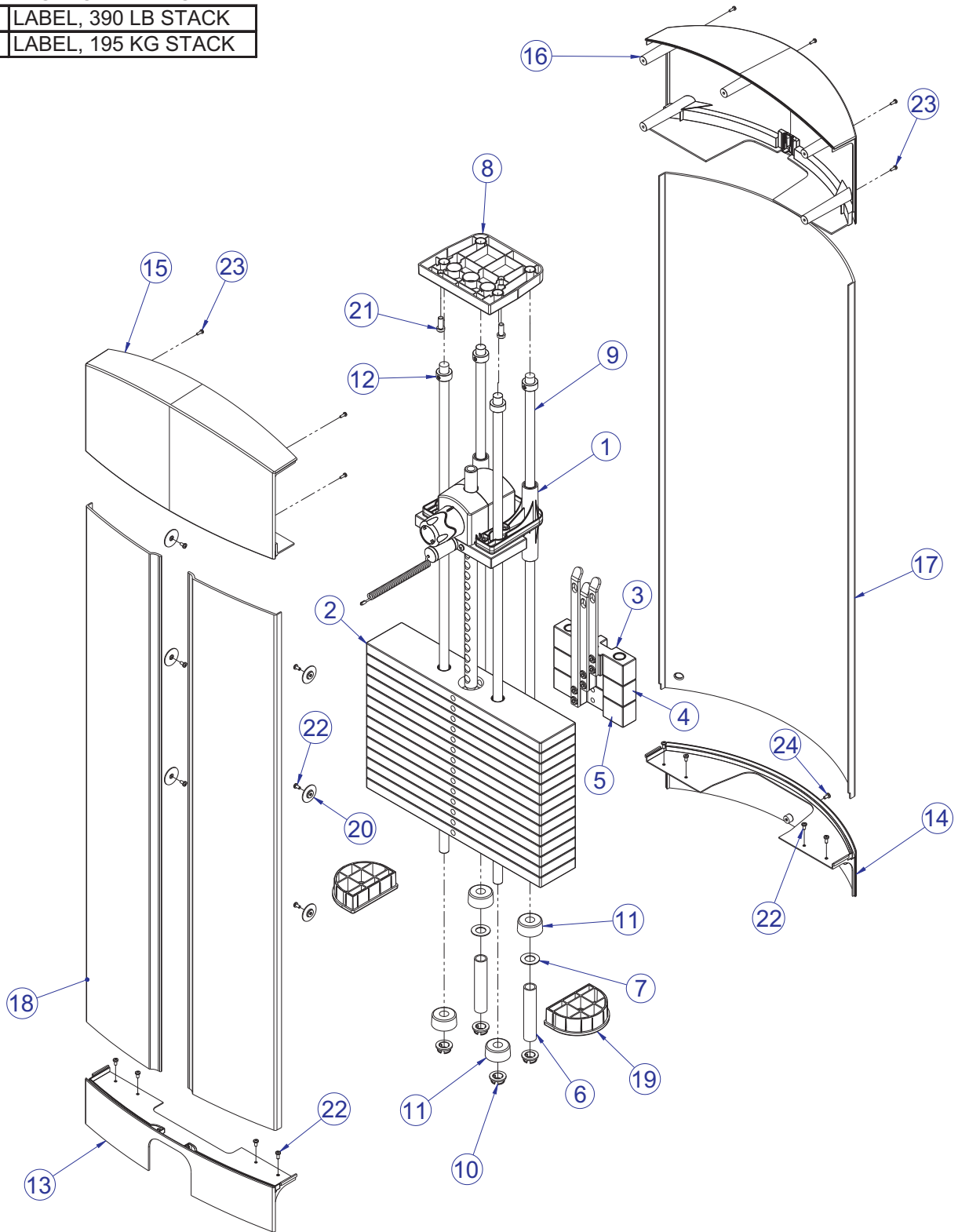


ITEM NO.	QTY.	PART NO.	DESCRIPTION
1	1	7777595	WLDMT, FZ SEAT ADJ HANDLE SHADOW GRAY
2	1	7331801	LINK, ADJUSTER
3	1	7331601	PIN, INDEX
4	2	7407501	PIN, LINK
5	4	3232401	RING, RETAINING, EXTERNAL
6	1	7287901	HANDLE, ADJUSTER
7	1	3110010	ROLL PIN, 1/8 X 7/8

FZPEC PECTORAL FLY PEC-14 TOWER ASSEMBLY - 8165301

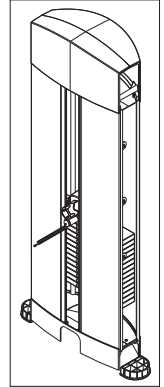
WEIGHT STACK LABELS

7927201	LABEL, 390 LB STACK
7927301	LABEL, 195 KG STACK



SEE PAGE 10 FOR LEGEND

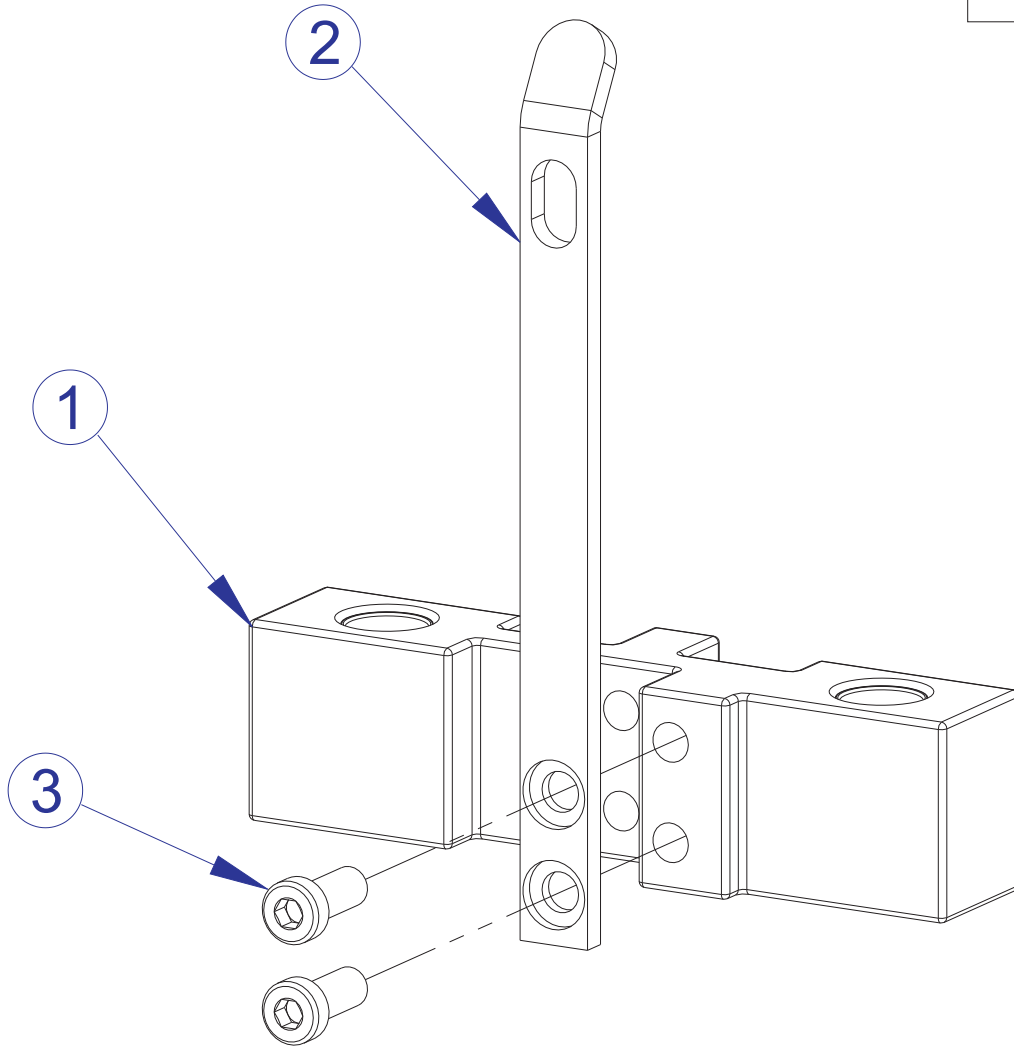
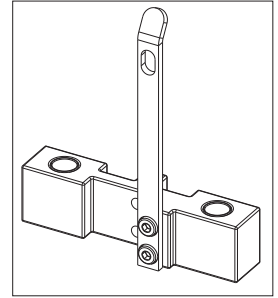
FZPEC PECTORAL FLY PEC-14 TOWER ASSEMBLY LEGEND



ITEM NO.	QTY.	PART NO.	DESCRIPTION
1	1	7350701	ASSY, HEAD PLATE (14)
2	14	7328401	WEIGHT PLATE, 20 LB
3	1	7327601	ASSY, INCREMENT WT - 5 LB
4	1	7327701	ASSY, INCREMENT WT - 10 LB
5	1	7327801	ASSY, INCREMENT WT - 15 LB
6	2	7328701	SPACER, INC WT STACK - 14 PLT
7	2	7351001	SPACER, INC WT STACK
8	1	7621101	RETAINER, GUIDE ROD - TOP
9	4	7328619	GUIDE ROD, .75 OD SOLID 47.00
10	4	7337901	BUSHING, GUIDE ROD
11	4	7352101	CUSHION, WEIGHT STACK
12	4	3103301	SHAFT COLLAR, 3/4 I.D. ZINC
13	1	8170301	COVER, FZPEC, TOWER- BOTTOM FRONT
14	1	7318901	COVER, TOWER- BOTTOM REAR
15	1	7318601	COVER, TOWER- TOP FRONT
16	1	7318701	COVER, TOWER- TOP REAR
17	1	7765701	SHROUD, TOWER- REAR SHORT
18	2	7765601	SHROUD, TOWER- FRT SHORT RH
19	2	7326301	CAP, D-TUBE - BOTTOM
20	6	7583501	RETAINER, FZ SHROUD
21	2	3236202	SCREW, M10 X1.5 25MM
22	13	3239101	SCREW, M5X10 PHL PAN TT ST
23	9	3236501	M4 X 0.7 PHL PAN MS ST ZN
24	2	3239102	SCREW, M5X12 PHL PAN TT ST BZ

FZPEC PECTORAL FLY

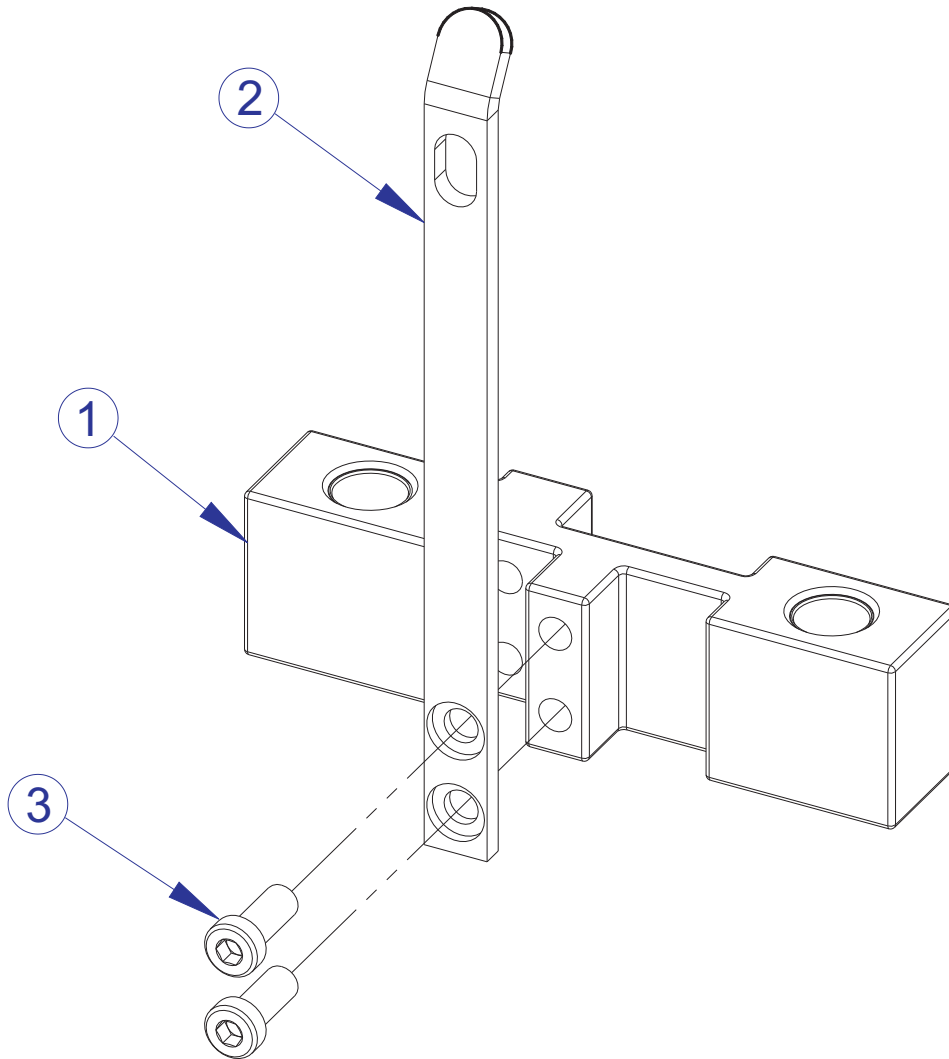
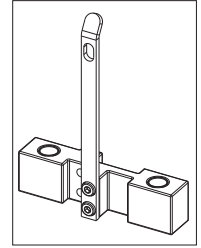
5 LB. INCREMENT WEIGHT ASSEMBLY - 7327601



ITEM NO.	QTY.	PART NO.	DESCRIPTION
1	1	7968501	ASSY, FZ INC WEIGHT 5LB
2	1	7328001	BRKT, INCREMENT WT - 5 LB
3	2	3236202	SCREW, M10 X1.5 25MM

FZPEC PECTORAL FLY

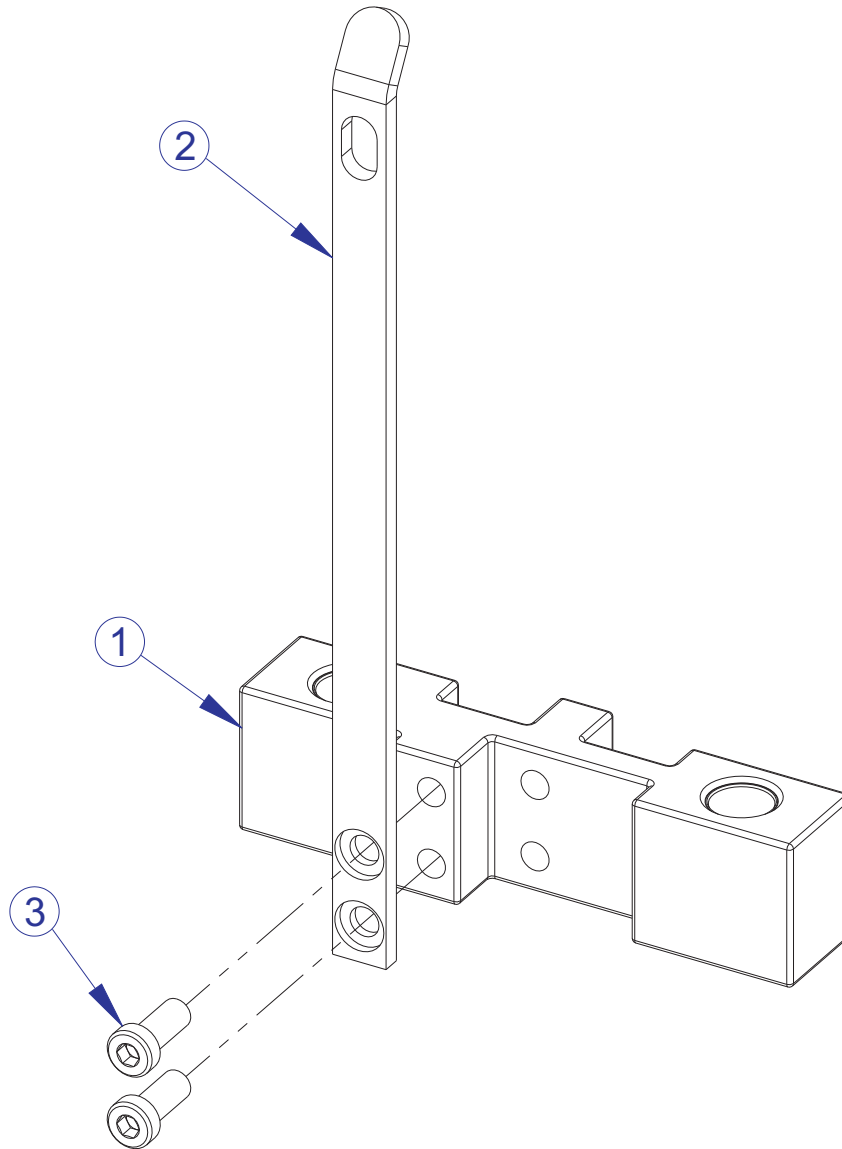
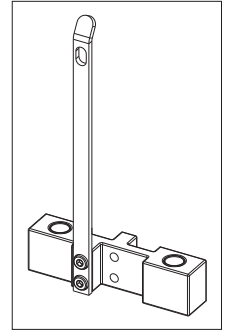
10 LB. INCREMENT WEIGHT ASSEMBLY - 7327701



ITEM NO.	QTY.	PART NO.	DESCRIPTION
1	1	7968501	ASSY, FZ INC WEIGHT 5LB
2	1	7328101	BRKT, INCREMENT WT - 10 LB
3	2	3236202	SCREW, M10 X1.5 25MM

FZPEC PECTORAL FLY

15 LB. INCREMENT WEIGHT ASSEMBLY - 7327801

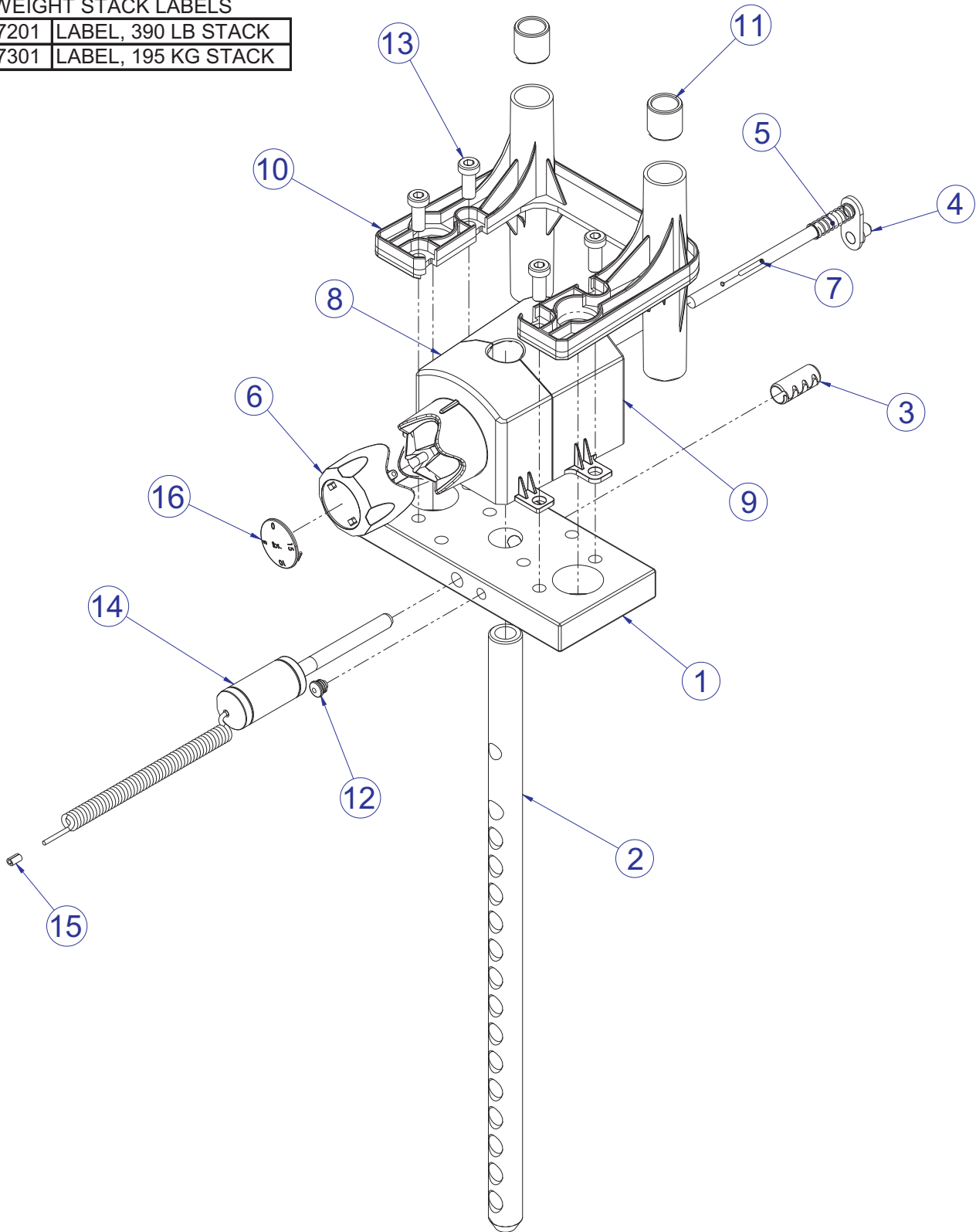


ITEM NO.	QTY.	PART NO.	DESCRIPTION
1	1	7968501	ASSY, FZ INC WEIGHT 5LB
2	1	7328201	BRKT, INCREMENT WT - 15 LB
3	2	3236202	SCREW, M10 X1.5 25MM

FZPEC PECTORAL FLY HEAD PLATE ASSEMBLY - 7350701

WEIGHT STACK LABELS

7927201	LABEL, 390 LB STACK
7927301	LABEL, 195 KG STACK



SEE PAGE 15 FOR LEGEND

FZPEC PECTORAL FLY HEAD PLATE ASSEMBLY LEGEND

ITEM NO.	QTY.	PART NO.	DESCRIPTION
1	1	7326701	HEAD PLATE
2	1	7347801	STEM, 9 PLATE
3	1	3236001	BUSHING, SPRING PIN
4	1	7327201	WLDMT, INCREMENT WT PIN
5	1	8024501	SPRING, 1/2 OD X 1-1/2
6	1	7326101	KNOB, INC WT SELECTOR
7	1	3110008	ROLL PIN, 1/8 X 1-1/4
8	1	7326401	HOUSING, SELECTOR - FRONT
9	1	7326501	HOUSING, SELECTOR - REAR
10	1	7362101	STABILIZER, HEAD PLATE
11	4	7459601	BUSHING, HEAD PLT STABILIZER
12	1	7356501	PLUG, LANYARD ATTACHMENT
13	4	3236202	SCREW, M10 X1.5 25MM
14	1	7338101	ASSY, WT STACK SELECTOR PIN
15	1	7523601	CRIMP, CABLE
16	1	7398601	CAP, SELECTOR KNOB, LBS
	OR		
	1	7398701	CAP, SELECTOR KNOB, KG

FZPEC PECTORAL FLY IMAGE

